

SS560FK
SC560FK

Flat Panel Floor Stand/Cart for up to 65" Flat Panel Displays

The Floor Stand or Cart is one of the sharpest looking, most robust and functional stands ever, perfect for exhibitions, conferences or any other public venue. Under the display mount there is plenty of space to conceal content drivers and surge protectors. Its internal cable management system conceals cables and cords, delivering a clean look for any application.



Display size: up to 65"



Max load: 150lb (68.3kg)

FEATURES

- Capable of 30° tilt for touch screen or kiosk applications
- Media storage box below the display for a computer or media box and allows access to the devices without having to remove the display
- Universal mount adapts to screens with mounting holes up to 729 x 433mm (28.7"W x 17.05"H)
- Maneuvers safely and easily on 4" (102mm) heavy-duty swivel casters, with 2 of them locking (SC model)
- Sturdy base that can be bolted to the floor (SS model)
- ADA compliant



■ **PERFECT VIEWING**
Tilted display for touch screen or kiosk applications

■ **MEDIA STORAGE**
Accommodates content drivers up to 3.95" x 14.90" x 13.30" (100x 378 x 335mm)

■ **CABLE MANAGEMENT**
Internal cable management for a clean, clutter free look

SC560FK



SS560FK



Model Numbers

WARRANTY: Limited 5-year

SS560FK	Flat Panel Floor Stand for up to 65" Flat Panel Displays
SC560FK	Flat Panel Floor Cart for up to 65" Flat Panel Displays

Product Specifications

	DIMENSIONS (W x H x D)	PRODUCT WEIGHT	LOAD CAPACITY	FINISH	AVAILABLE COLORS
SS560FK	33.50" x 45.46" x 26.50" (851 x 1155 x 673mm)	84.8lb (38.5kg)	150.0lb (68.3kg)	Powder coat	Black
SC560FK	32.55" x 41.43" x 27.42" (827 x 1052 x 697mm)	73.0lb (33.1kg)			

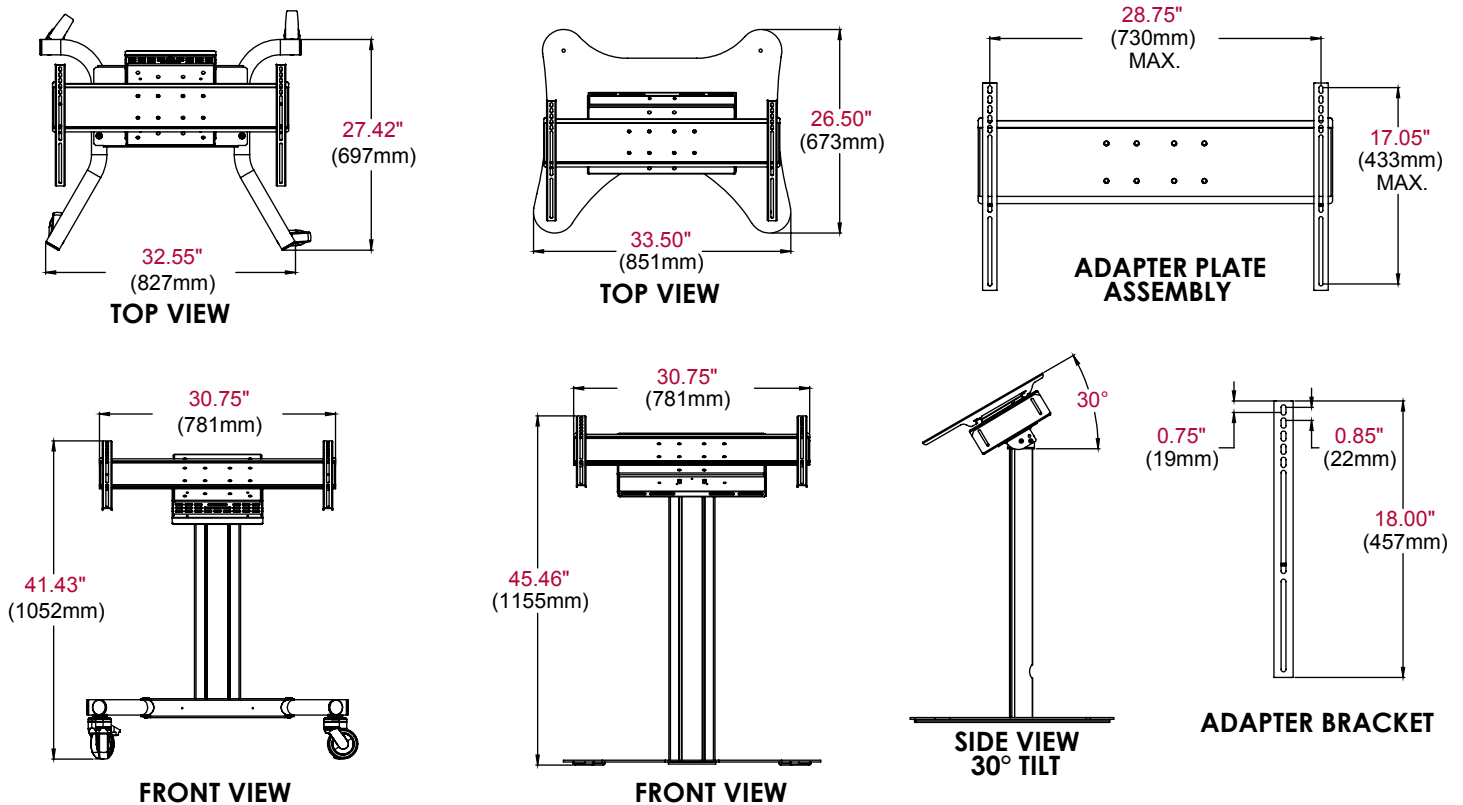
Package Specifications

	PACKAGE SIZE (W x H x D)	PACKAGE SHIP WEIGHT	PACKAGE UPC CODE	PACKAGE CONTENTS	UNITS IN PACKAGE
SS560FK	30.50" x 9.50" x 32.25" (774 x 241 x 819mm)	104.5lb (47.4kg)	735029280736	Stand, universal adapter plate, component storage, mounting hardware	1
SC560FK	19.25" x 7.75" x 57.75" (488 x 196 x 1466mm)	75.0lb (34.0kg)	735029281986		

Accessories

ACC313:	Metal Shelf
ACC318:	Tempered Glass Shelf

All dimensions = inch (mm)



ARCHITECTS SPECIFICATIONS

The Floor Stand/Card shall be a Peerless-AV model SS560FK/SC560FK and shall be installed where indicated on the plans. It shall be constructed of heavy gauge cold rolled steel. Assembly and installation shall be done according to instructions provided by the manufacturer.

Peerless Industries, Inc. ■ 2300 White Oak Circle ■ Aurora, IL 60502 ■ (800) 865-2112 ■ (630) 375-5100 ■ Fax: (800) 359-6500 ■ peerless-av.com

Visit peerless-av.com to see the complete line of AV solutions from Peerless-AV, including flat panel mounts, projector mounts, carts/stands, furniture, cables, screen cleaners and a full assortment of accessories.