



Two-link Articulating Desktop Arm

For 15" to 24" LCD Monitors

MODELS

Universal Models:

Includes standard hardware (hex or Phillips) for attaching screen to mount

LCT-A1B1C	Desk clamp	Silver
LCT-A1B1H	Bolt hole	Silver

SCREEN ADAPTER

VESA® pattern

Universal Models: 75 and 100 mm

SPECIFICATIONS

Distance from base

up to 30.3" (770 mm)

Tilt | Swivel

Monitor tilt:	+20°/-30°
Base arm tilt:	+20°/90°
Extension arm tilt:	0°/-90°
Swivel:	360°

Max load

17.5 lb (8 kg)

Product Dimensions (W x H x D)

LCT-A1B1C:	6.34" x 22.4" x 9.61"-30.3" (161 x 569 x 244-770 mm)
LCT-A1B1H:	6.34" x 17.2" x 9.61"-30.3" (161 x 437 x 244-770 mm)

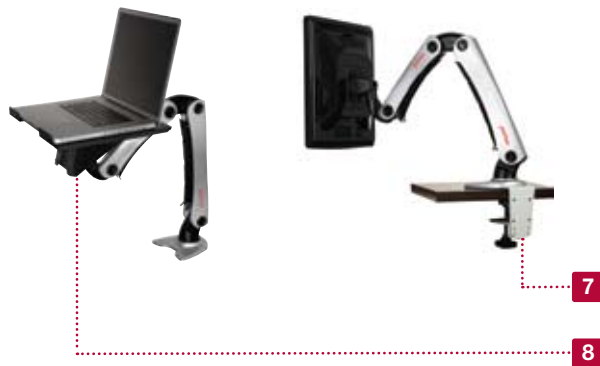
Mounting Surfaces

Desktop

Ship Weight

LCT-A1B1C:	13.9 lb (6.3 kg)
LCT-A1B1H:	10.6 lb (4.8 kg)

1. VESA® 75 and 100 compliant
2. Extends up to 30" (770 mm) from the desktop base
3. 360° of swivel
4. Internal cable management
5. Portrait to landscape adjustment without removing the screen
6. Spring-loaded design
7. Desk clamp and desk bolt models available
8. Can also be used in laptop configuration (see page 131)



TECHNICAL DRAWINGS

For expanded product information and technical data visit www.peerlessmounts.com

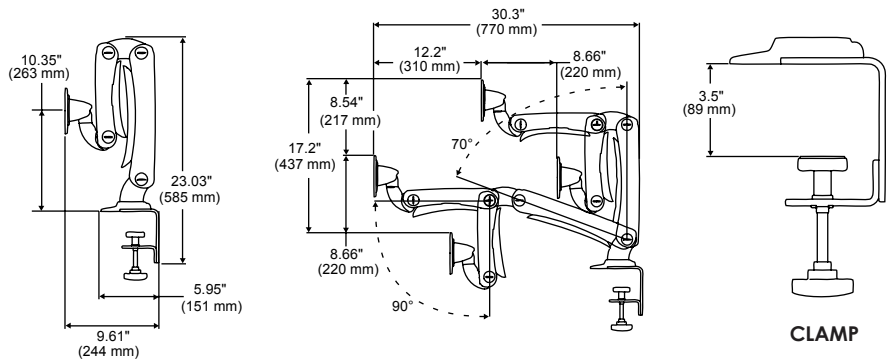
ACCESSORIES



ACC918:
Security Fasteners pg# 132



ACC328:
Laptop Tray pg# 131



To verify mount compatibility with any LCD, plasma or projector model use MountFinder™ at www.peerlessmounts.com



CLICK: www.peerlessmounts.com



CALL: 800.865.2112



FAX: 708.865.2941