



Two-link Articulating Desktop Pole

For 15" to 24" LCD Monitors

MODELS

Universal Models:

Includes standard hardware (hex or Phillips) for attaching screen to mount

LCT-A1B3C	Desk clamp	Silver
LCT-A1B3H	Bolt hole	Silver

SCREEN ADAPTER

VESA® pattern

Universal Models: 75 and 100 mm

SPECIFICATIONS

Distance from base

up to 22.01" (559 mm)

Tilt | Swivel

Monitor tilt: +20°/-30°
 Extension arm tilt: 0°/-90°
 Swivel: 360°

Max load

17.5 lb (8 kg)

Product Dimensions (W x H x D)

LCT-A1B3C: 6.34" x 24.14" x 13.35"-22.01"
 (161 x 613 x 339-559 mm)
LCT-A1B3H: 6.34" x 18.86" x 13.35"-22.01"
 (161 x 479 x 339-559 mm)

Mounting Surfaces

Desktop

Ship Weight

LCT-A1B3C: 13.2 lb (6 kg)
LCT-A1B3H: 10.1 lb (4.6 kg)

1. VESA® 75 and 100 compliant
2. 360° of lockable swivel
3. 14.4" (366 mm) of height adjustment
4. Internal cable management
5. Portrait to landscape adjustment without removing the screen
6. Spring-loaded design
7. Desk clamp and desk bolt models available



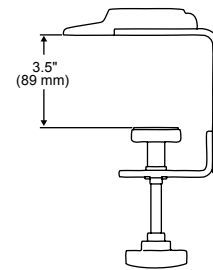
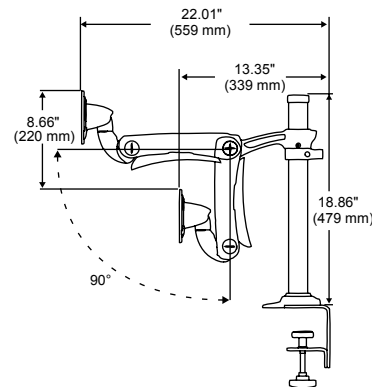
ACCESSORIES



ACC918:
 Security Fasteners pg# 132

TECHNICAL DRAWINGS

For expanded product information and technical data visit www.peerlessmounts.com



CLAMP

To verify mount compatibility with any LCD, plasma or projector model use MountFinder™ at www.peerlessmounts.com



CLICK: www.peerlessmounts.com



CALL: 800.865.2112



FAX: 708.865.2941