

One-link Pivot Desktop Pole

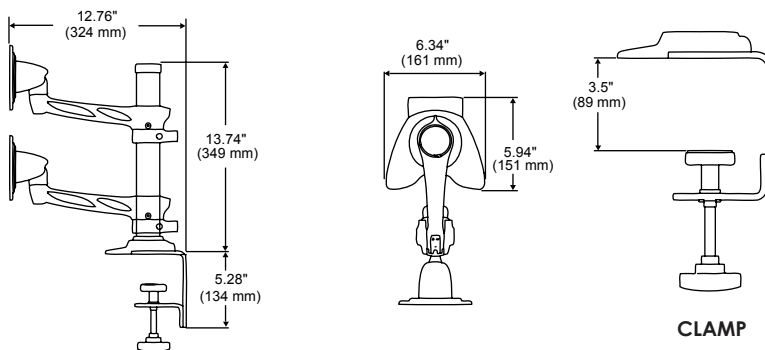
For 15" to 24" LCD Monitors

1. VESA® 75 and 100 compliant
2. 360° of lockable swivel
3. 9.29" (236 mm) of height adjustment
4. Portrait to landscape adjustment without removing the screen
5. Desk clamp and desk bolt models available



For expanded product information and technical data visit www.peerlessmounts.com

TECHNICAL DRAWINGS



CLAMP

To verify mount compatibility with any LCD, plasma or projector model use MountFinder™ at www.peerlessmounts.com

CLICK: www.peerlessmounts.com

CALL: 800.865.2112

FAX: 708.865.2941



FLAT PANEL MOUNTS

MODELS

Universal Models:

Includes standard hardware (hex or Phillips) for attaching screen to mount

LCT-A1B5C	Desk clamp	Silver
LCT-A1B5H	Bolt hole	Silver

SCREEN ADAPTER



VESA® pattern

Universal Models: 75 and 100 mm

SPECIFICATIONS



Distance from base

up to 12.76" (324 mm)



Tilt | Swivel

Monitor tilt: +20°/-30°
Swivel: 360°



Max load

17.5 lb (8 kg)

Product Dimensions (W x H x D)

LCT-A1B5C:	6.34" x 19.02" x 12.76" (161 x 483 x 324 mm)
LCT-A1B5H:	6.34" x 13.74" x 12.76" (161 x 349 x 324 mm)

Mounting Surfaces

Desktop

Ship Weight

LCT-A1B5C:	11.4 lb (5.2 kg)
LCT-A1B5H:	8.1 lb (3.7 kg)

ACCESSORIES



ACC918:
Security Fasteners pg# 132