

# SmartMount® Universal Tilt Wall Mount

For 42" to 71" Flat Panel Screens

## MODELS

### Universal Models:

Includes theft resistant hardware for attaching screen to mount

**ST670** Black  
**ST670-S** Silver

Includes standard hardware (hex or Phillips) for attaching screen to mount

**ST670P** Black  
**ST670P-S** Silver

## SCREEN ADAPTER



### Mounting pattern

Universal Models: 36" W x 20" H  
(915 x 503 mm)

## SPECIFICATIONS



### Distance from wall

3.04" (77 mm)



### Tilt

+15/-5°



### Max load

250 lb (113 kg)

### Product Dimensions (W x H x D)

37.75" x 20.62" x 3.04"  
(959 x 524 x 77 mm)

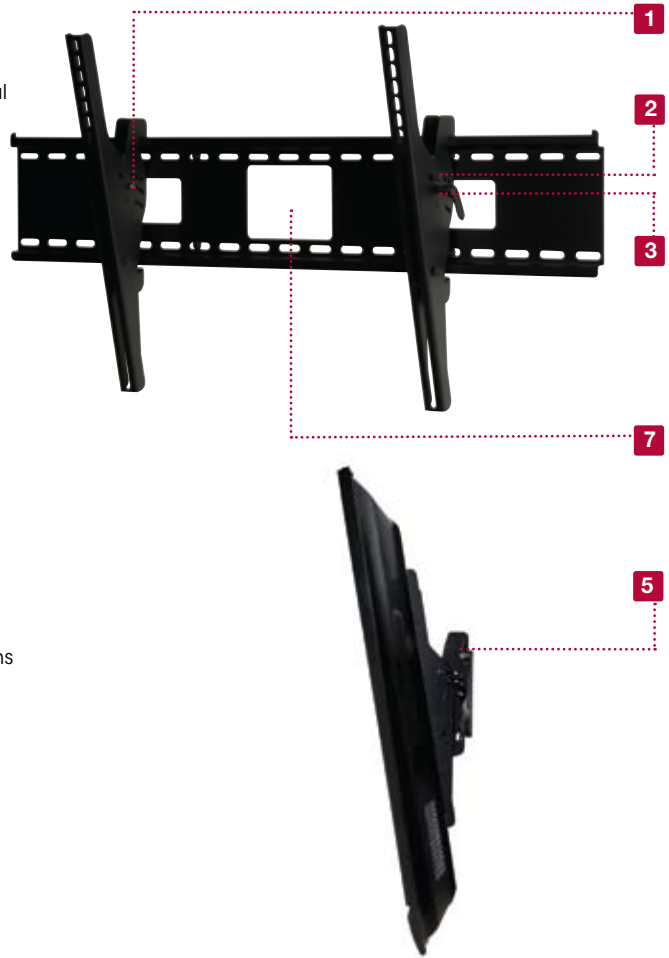
### Mounting Surfaces

Wood stud, concrete, cinder block and metal stud  
(Metal stud accessory required)

### Ship Weight

15.4 lb (6.98 kg)

1. Pre-tensioned universal tilt adapters allow for +15/-5° tilt adjustment in one easy motion
2. Optional tilt lock in 5° increments
3. Easy-grip ratcheting handle locks angle into place
4. Horizontal screen adjustment up to 12" (304 mm)
5. Universal screen adapters easily hook onto wall plate for fast installation
6. Fits screens with mounting hole patterns of 36"W x 20"H (915 x 503 mm)
7. Wall plate knockouts provide wall access improving cable management options



## TECHNICAL DRAWINGS

For expanded product information and technical data visit [www.peerlessmounts.com](http://www.peerlessmounts.com)

## CERTIFICATIONS



## ACCESSORIES



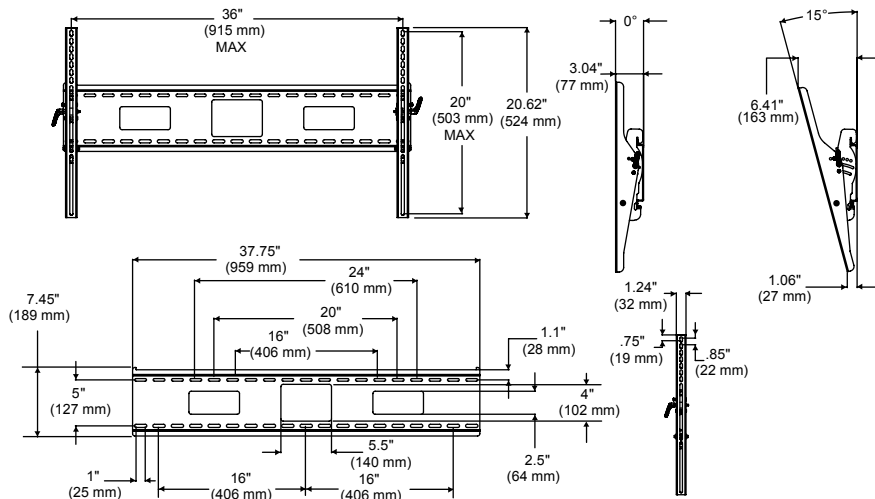
**ACC415:**  
4-pack Metal Stud  
Fastener Kit ..... pg# 130



**ACC615:**  
6-pack Metal Stud  
Fastener Kit ..... pg# 130



**ACC309:**  
Video Conference Shelf ..... pg# 115



To verify mount compatibility with any LCD, plasma or projector model use MountFinder™ at [www.peerlessmounts.com](http://www.peerlessmounts.com)



CLICK: [www.peerlessmounts.com](http://www.peerlessmounts.com)



CALL: 800.865.2112



FAX: 708.865.2941